

**FEATURES**

- ✘ For high density mounting
- ✘ Vertical or side actuation
- ✘ Reflow solderable

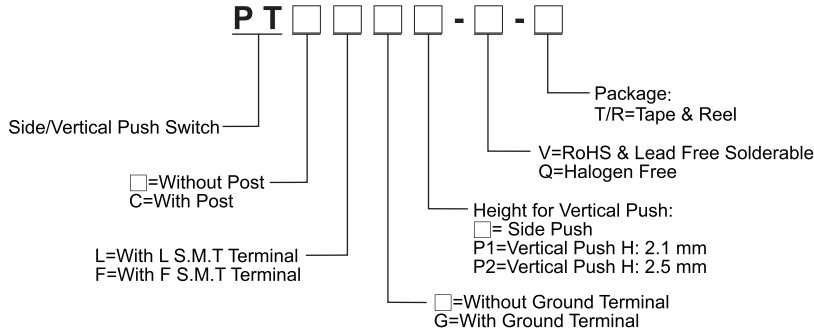
**APPLICATION**

- ✘ Automotive
- ✘ Portable Electronic Device
- ✘ Control panel

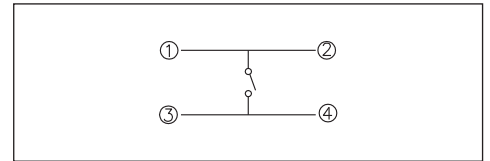
**SPECIFICATION**

Contact Rating	50mA, 12V DC
Contact Resistance	100mΩ max.
Insulation Resistance	100MΩ min. 500V DC
Dielectric Strength	250V AC/1 minute
Operating Force	160±50gf (Vertical Push) 220+80/-70gf (Side Push)
Travel	0.20±0.1mm (Vertical Push) 0.30+0.1/-0.15mm (Side Push)
Operating Life	100,000 cycles
Operating Temp.	-25°C ~ +70°C
Storage Temp.	-30°C ~ +80°C

**HOW TO ORDER**



**CIRCUIT**

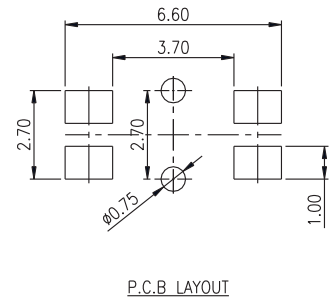
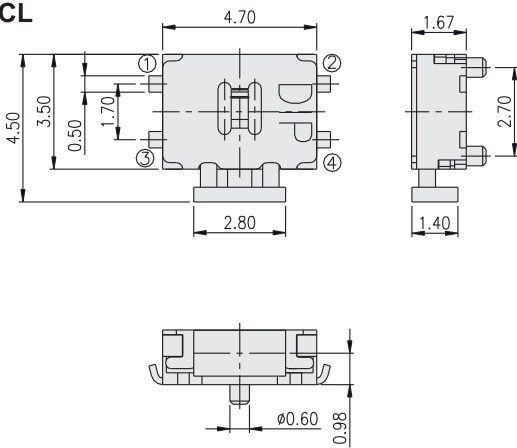


**PACKAGE**

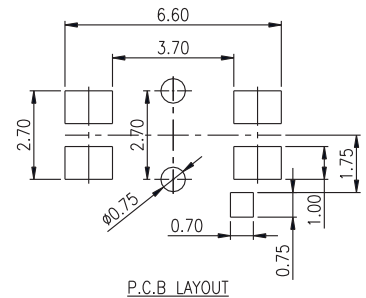
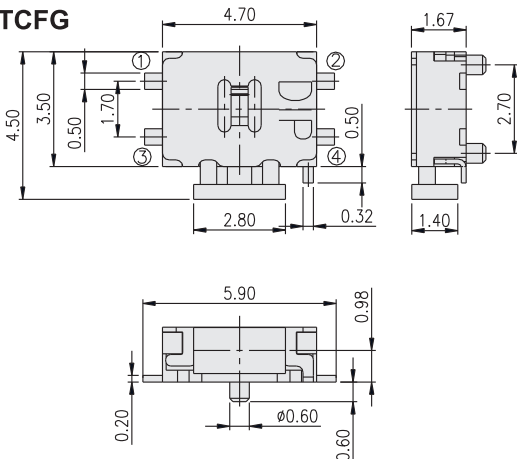
**<Tape & Reel>**

Side push type: 3000 pcs  
Vertical push type: 2400 pcs

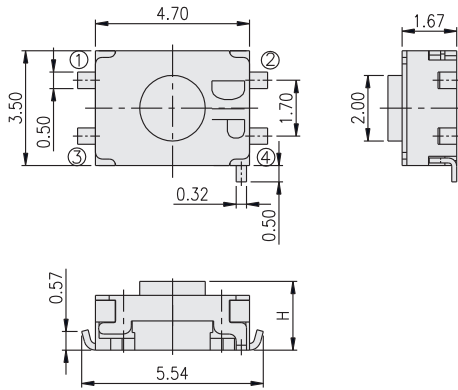
**PTCL**



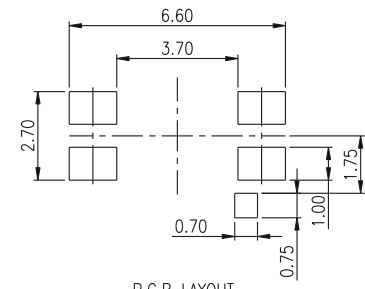
**PTCFG**



PTLGP□



NAME	H
PTLGP1	2.10
PTLGP2	2.50
PTLGP4	4.30



P.C.B. LAYOUT